

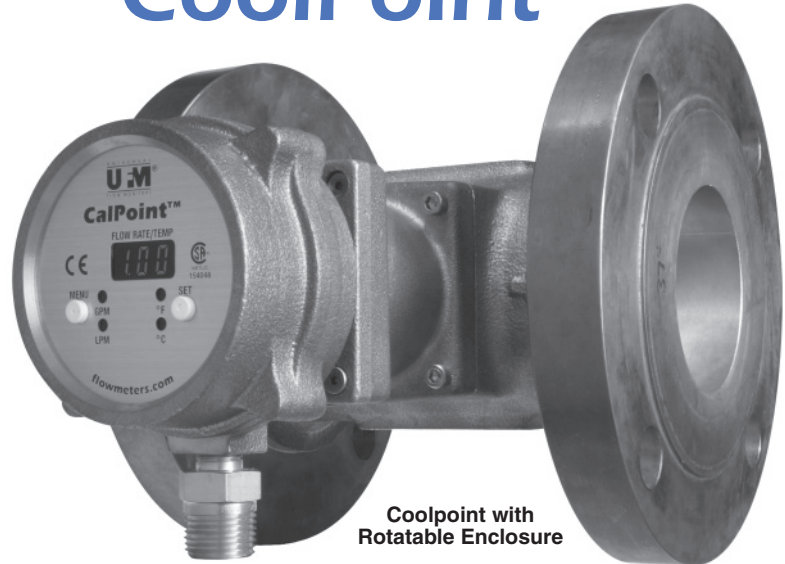
**FLOW RANGE** 300-600 GPM (1136-2271 LPM)  
**MAX PRESSURE** 200 PSI (13 Bar)

**CP 3-4 inch**

## UNIVERSAL<sup>®</sup> Flow Monitors

### Vortex Shedding Flowmeter for Water and Coolant

## CoolPoint<sup>™</sup>



Coolpoint with  
Rotatable Enclosure

### Description

This flowmeter is made for water, water/glycol coolant or low viscosity fluids. It has the following features:

- Flow transmitter 4-20 mA
- Solid state relay configurable as alarm set points or pulse output
- LED digital display
- No moving parts to clog or wear
- Certified CSA and CE
- Optional temperature transmitter

### Electrical Specifications

- Input Power: 10 - 30 VDC @ 80 mA
- Output: 4-20 mA with 25 pulses per gallon from the solid state relay
- Electrical Connection
  - Pin Connector (standard)
  - Pigtails (optional)
  - Junction Box with terminal strip (optional)

### Material Specifications

Flow bodies of brass with PVDF sensors and Viton<sup>®</sup> seals standard.

### User-Configurable Options

Features that are selectable on 4-20 mA/pulse out units include:

- Selectable alarm state (N.O. or N.C.)
- Set point or pulse output
- Rotatable control box standard for all units
- Engineering units (GPM, LPM)

### Instrument Specifications

- Flow
  - Visual readout: 3 digit LED, 0.3" digit height
  - Response time: user selectable from 0.9 to 7.5 seconds
  - Alarm: 5% F.S. deadband
  - Accuracy:  $\pm 2\%$  F.S.
  - Repeatability:  $\pm .25\%$  of indicated flow
  - Turndown: 10:1
- Temperature (CT units only)
  - Response time: 1.8 seconds
  - Alarm:  $\pm 2\%$  deadband
  - Accuracy:  $\pm 1\%$  F.S.
  - Repeatability:  $\pm .25\%$  of indicated flow
  - Output: 4 mA @ 32°F, 20mA @ 210°F linear
- Pressure
  - 200 PSIG (13 Bar) operating pressure
- General
  - Fluid temperature limits: 35-210°F (2-99°C)
  - High temperature option (CP only) with maximum fluid temperature extended to 225°F for one hour wherein the 4-20 mA signal functions but the set points do not.
  - Enclosure rating: IP 65, Type 1, 3, 4, 12 and 13
- Pipe Connections:
  - ANSI Class 150 R.F. Flanges

# How To Order Select the appropriate symbols to build a model code:

## MODEL CODES

	Flow maximum GPM (LPM)	Pipe size in inches	Model code	Standard units on left may be modified by adding symbols to right with dashes (see example below).	Connector or conduit box options available
FLOW	300 (1136)	3	<b>CP24</b>		
	600 (2271)	4	<b>CP32</b>		
FLOW AND TEMPERATURE	300 (1136)	3	<b>CT24</b>		
	600 (2271)	4	<b>CT32</b>		
					<b>C2</b> =Pig tails <b>C3</b> =Conduit box, terminal strip

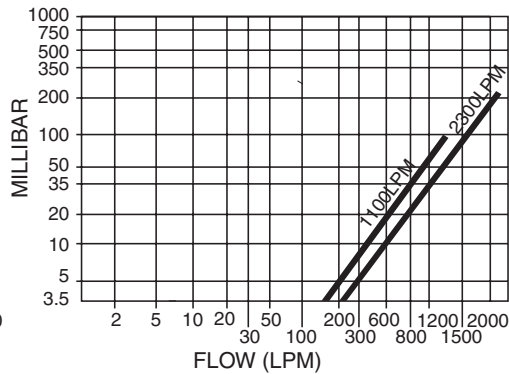
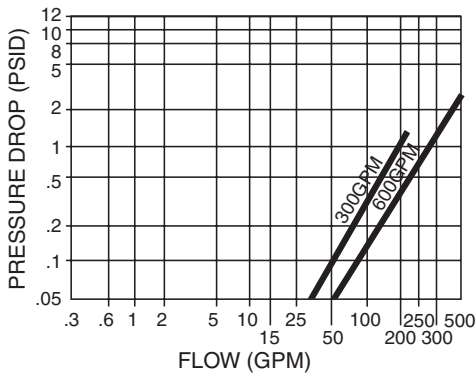
Standard models have fixed flow rates for each pipe size, brass construction, Viton® seals, 4-20mA output with programmable set point or pulse out selectable.

**Example: CP24** is an 3 inch flowmeter with above characteristics.

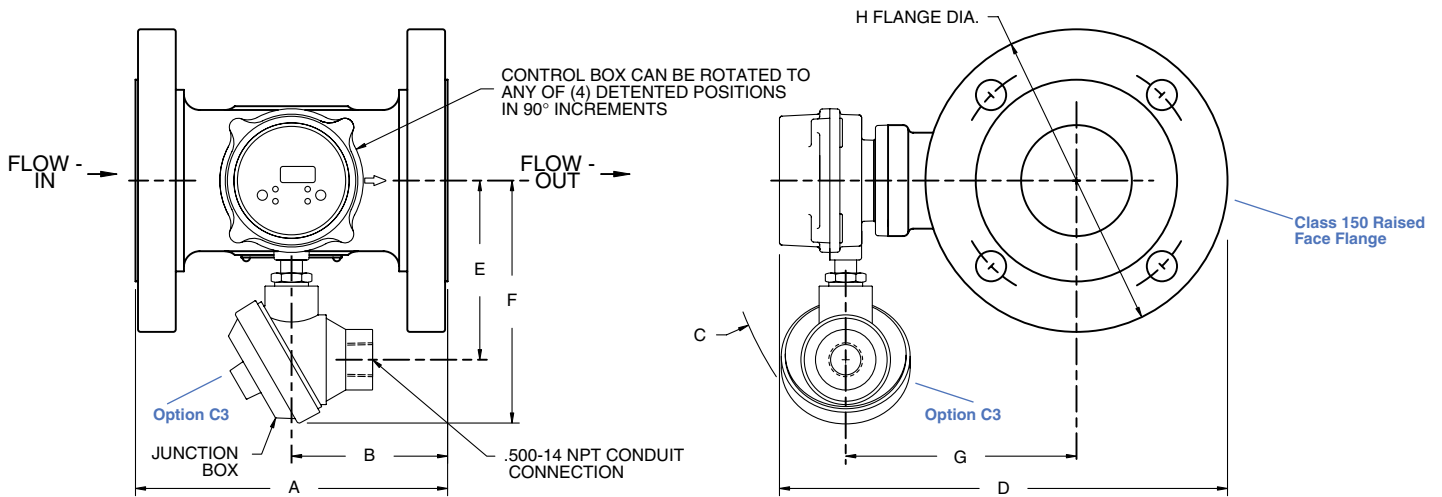
For Special Options - Added symbols required.

**Example: CP24-C2** is a standard model with pigtailed for wiring instead of a pin connector.

## PRESSURE DROP CHARTS



## INSTALLATION DRAWING – 3" AND 4" PORT SIZE



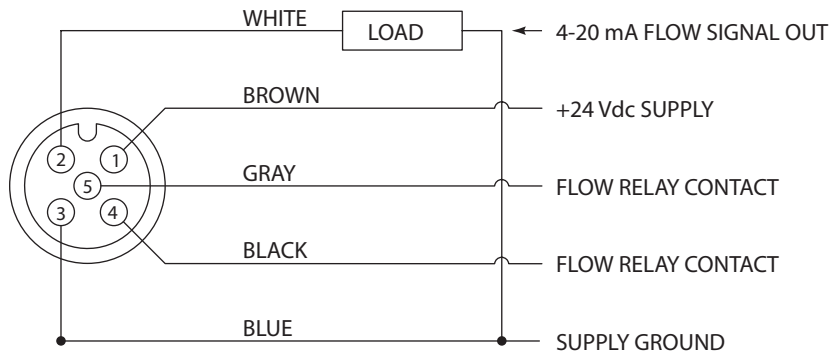
Size	A	B	C	D	E	F	G	H
CP24	7.75	3.88	8.90	11.13	4.44	6.03	5.73	7.50
CT24	[197mm]	[99 mm]	[226 mm]	[283 mm]	[113 mm]	[153 mm]	[146 mm]	[191 mm]
CP32	10.75	5.38	9.46	12.57	4.44	6.03	6.43	9
CT32	[273 mm]	[137 mm]	[240 mm]	[319 mm]	[113 mm]	[153 mm]	[163 mm]	[229 mm]

## ACCESSORY CABLES AVAILABLE FOR PIN CONNECTOR METERS

Series	Description	Length in Meters	Part Number
CP	5 pin female	1	6241-1M
		3	6241-3M
		10	6241-10M
CT	8 pin female	2	6242-2M
		5	6242-5M
		10	6242-10M

# PIN CONNECTOR PINOUTS

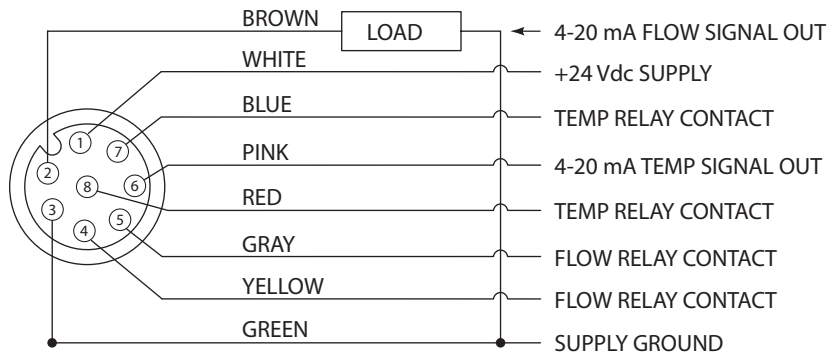
## CP (FLOW ONLY)



### PIN CONFIGURATION:

- 1: + 24 VDC power supply
- 2: 4-20 mA flow signal out
- 3: power supply ground
- 4: flow relay contact
- 5: flow relay contact

## CT (FLOW AND TEMPERATURE)



### PIN CONFIGURATION:

- 1: + 24 VDC power supply
- 2: 4-20 mA flow signal out
- 3: power supply ground
- 4: flow relay contact
- 5: flow relay contact
- 6: 4-20 mA temp signal out
- 7: temp relay contact
- 8: temp relay contact