

UNIVERSAL[®] Flow Monitors

CoolPoint[™]

**Vortex Shedding
Flowmeter for
Water and Coolant**



Description

This flowmeter is made for water, water/glycol coolant or low viscosity fluids.

It has the following features:

- Flow rate transmitter 4-20 mA
- Solid state relay can be configured as alarm or pulse out
- LED digital display
- No moving parts to clog or wear
- Certified CSA and CE

Electrical Specifications

- Input Power: 10 - 30 VDC @ 80 mA
- Output: 4-20 mA for flow rate with 100 pulses per gallon from the solid state relay
- Electrical Connection
 - Pin Connector (standard)
 - Pigtails (optional)
 - Junction Box with terminal strip (optional)

Material Specifications

Flow bodies of brass or 316 Stainless Steel with PVDF sensors and Viton[®] seals standard.

User-Configurable Options

Features that are selectable on 4-20 mA units include:

- Selectable alarm state (N.O. or N.C.)
- Set point or pulse output
- Engineering units (GPM, LPM)

Instrument Specifications

- Flow
 - Visual readout: 3 digit LED, 0.3" digit height
 - Response time: user selectable from 0.9 to 7.5 seconds,
 - Alarm: 5% F.S. deadband
 - Accuracy: $\pm 2\%$ F.S.
 - Repeatability: $\pm .25\%$ of indicated flow
 - Turndown: 10:1 (20:1 available some sizes)
- Pressure
 - 300 PSIG (20 Bar) operating pressure
- General
 - Fluid temperature limits: 35-210°F (2-99°C)
 - Enclosure rating: IP 65, Type 1, 3, 4, 12 and 13
- Pipe Connections:
 - Female NPT, BSPP & BSPT

How To Order Select the appropriate symbols to build a model code:

MODEL CODES

Flow maximum GPM (LPM)	Pipe size in inches	Model code	Standard units on left may be modified by adding symbols to right with dashes (see example below).	Thread options available	Body material options available	Connector or conduit box options available	Turndown
4 (15)	1/4	CP2					
6 (22.7)	3/8	CP3					
12 (45)	1/2	CP4					
				T2=BSPT	M2=316SS	C2=Pig tails	W1=20:1 *
				T3=BSPP		C3=Conduit box, terminal strip	

* Not available on CP2
* Needs grounding

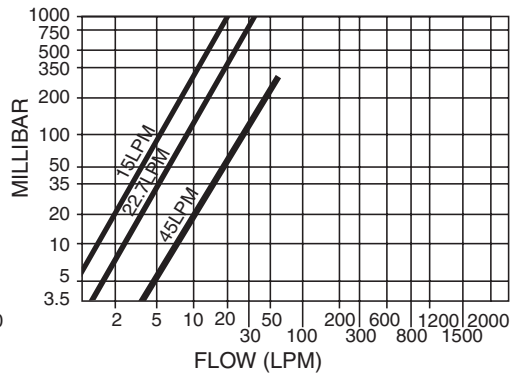
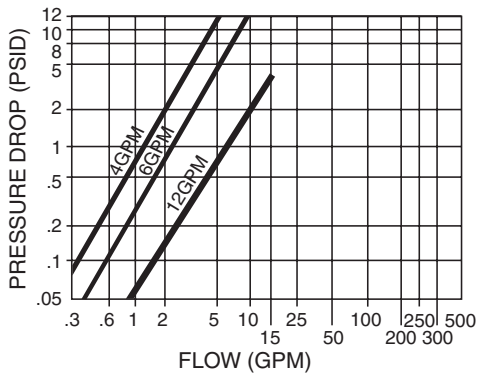
Standard models have fixed flow rates for each pipe size, brass construction, Viton® seals, 4-20mA output with programmable set point or pulse out selectable.

Example: CP2 is a 1/4 inch flowmeter with above characteristics.

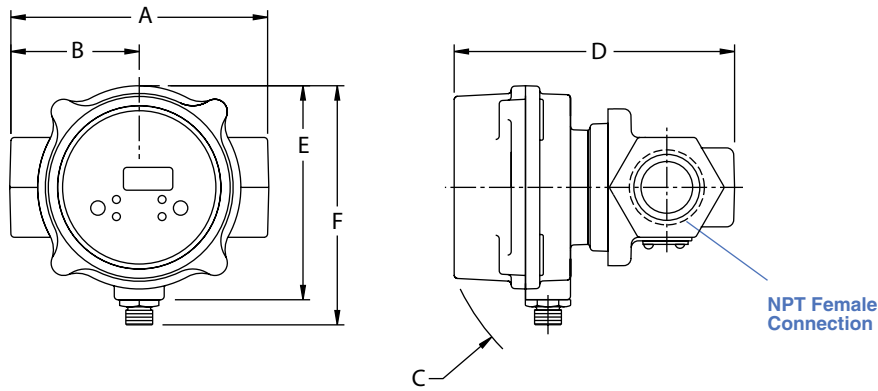
For Special Options - Added symbols required.

Example: CP2-T2 is a standard model with BSPT threads.

PRESSURE DROP CHARTS

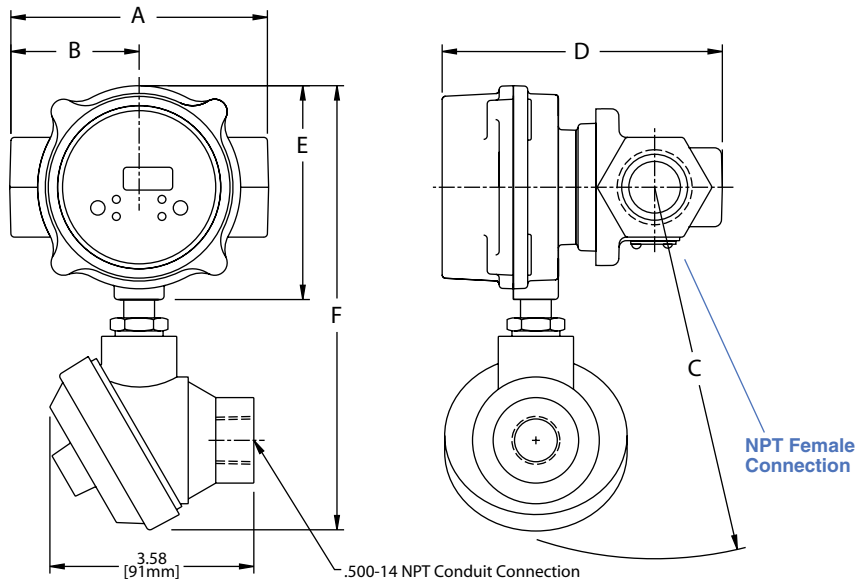


INSTALLATION DRAWING – BASIC METERS



Size	A	B	C	D	E	F
CP2 CP3 and CP4	3.25 [83mm]	1.62 [41mm]	3.13 [80mm]	4.07 [103mm]	2.31 [59mm]	2.73 [94mm]

INSTALLATION DRAWING – METERS WITH OPTIONAL JUNCTION BOX



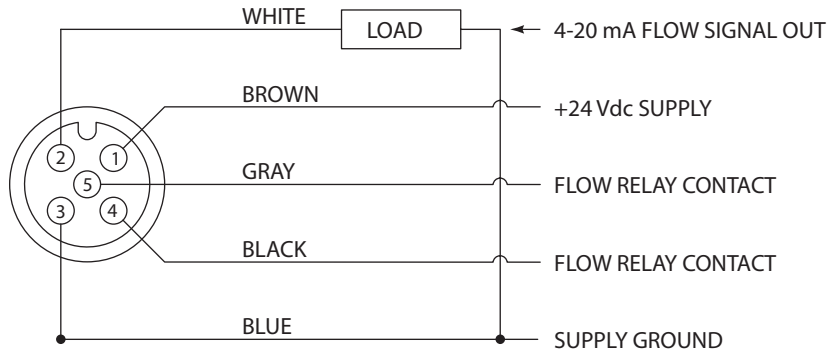
Size	A	B	C	D	E	F
CP2 CP3 and CP4	3.25 [83mm]	1.62 [41mm]	5.42 [138mm]	4.07 [103mm]	2.31 [59mm]	6.39 [162mm]

ACCESSORY CABLES AVAILABLE FOR PIN CONNECTOR METERS

Series	Description	Length in Meters	Part Number
CP	5 pin female	1	6241-1M
		3	6241-3M
		10	6241-10M

PIN CONNECTOR PINOUTS

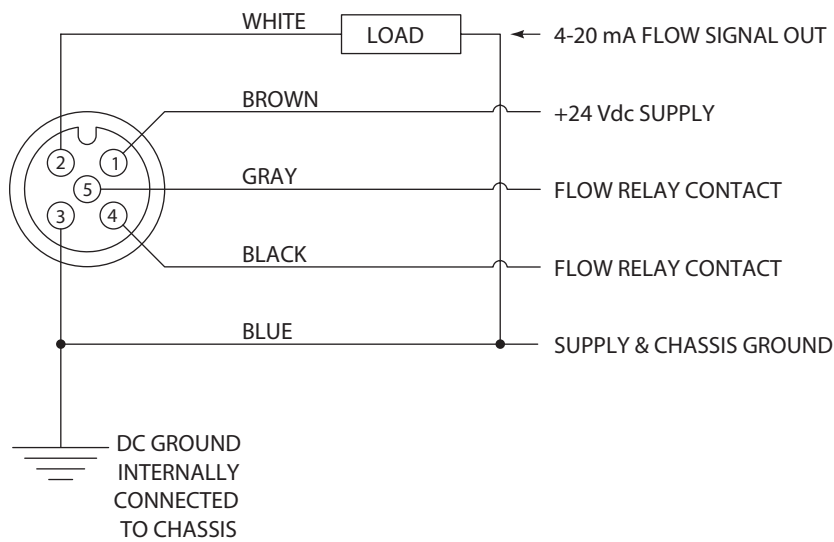
CP (FLOW ONLY)



CONFIGURATION:

- 1: + 24 VDC power supply
- 2: 4-20 mA flow signal out
- 3: power supply ground
- 4: flow relay contact
- 5: flow relay contact

CP WITH W1 OPTION (GROUNDED)



CONFIGURATION:

- 1: + 24 VDC power supply
- 2: 4-20 mA flow signal out
- 3: power supply ground
- 4: flow relay contact
- 5: flow relay contact