

UNIVERSAL[®] Flow Monitors

CoolPoint[™]

**Vortex Shedding
 Totalizing Flowmeter
 for Water and Coolant**



CoolPoint[™] shown
 with D2 totalizer

Description

This flowmeter is made for water, water/glycol coolant or low viscosity fluids. Totalize flow with 6-digit LED. Toggle between two totals, one running and one resettable. Push button selection for LPM or GPM. Electronic output is pulse only for this option. It has the following features:

- Pulse output
- LED digital display
- No moving parts to clog or wear
- Certified CSA and CE

Electrical Specifications

- Input Power: 10 - 30 VDC @ 80 mA
- Electrical Connection
 - Pin Connector (standard)
 - Pigtails (optional)
 - Junction Box with terminal strip (optional)

Material Specifications

Flow bodies of brass or 316 Stainless Steel with PVDF sensors and Viton[®] seals standard.

User-Configurable Options

Features selectable:

- Engineering units (Gallons, Liters)

Instrument Specifications

- Flow
 - Visual readout: 6 digit LED, 0.3" digit height
 - Accuracy: $\pm 1.5\%$ of indicated total
 - Turndown: 10:1
- Pressure
 - 300 PSIG (20 Bar) operating pressure
- General
 - Fluid temperature limits: 35-210°F (2-99°C)
 - Enclosure rating: IP 65, Type 1, 3, 4, 12 and 13
- Pipe Connections:
 - Female NPT, BSPP & BSPT

How To Order Select the appropriate symbols to build a model code:

MODEL CODES

Flow maximum GPM (LPM)	Pipe size in inches	Model code	Standard units on left may be modified by adding symbols to right with dashes (see example below).	Thread options available	Body material options available	Connector or conduit box options available
6 (23)	3/4	CP6-F9-D2			T2=BSPT T3=BSPP	M2=316SS
12 (45)	3/4	CP6-F2-D2				
25 (95)	3/4	CP6-D2				
50 (190)	1	CP8-D2				
100 (380)	1 1/2	CP12-D2				
100 (380)	2	CP16-F5-D2				
200 (200)	2	CP16-D2				

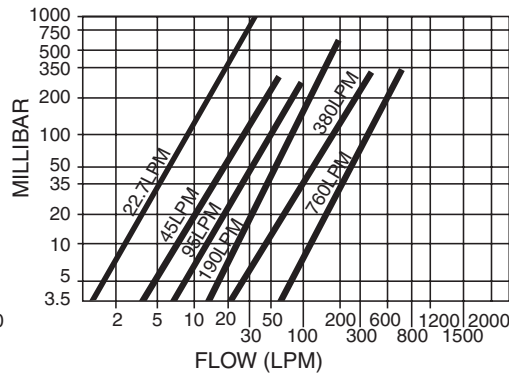
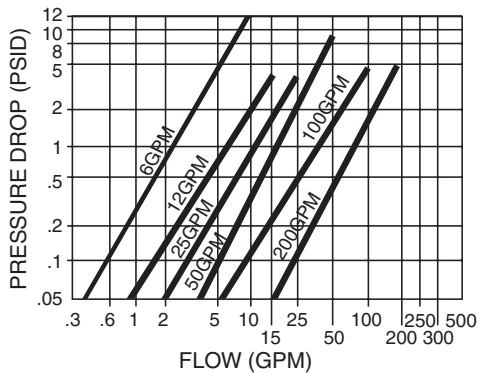
Standard models have fixed flow rates for each pipe size, brass construction, Viton® seals, 4-20mA output with programmable set point or pulse out selectable.

Example: CP12-D2 is an 1 1/2 inch flowmeter with above characteristics.

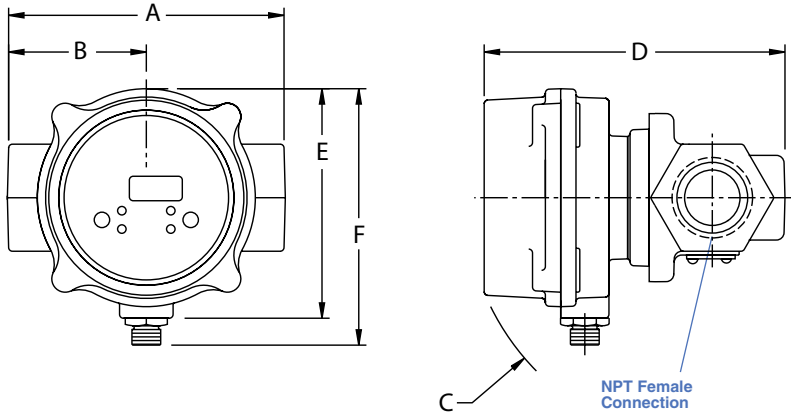
For Special Options - Added symbols required.

Example: CP12-D2-T2 is a standard model with BSPT threads.

PRESSURE DROP CHARTS

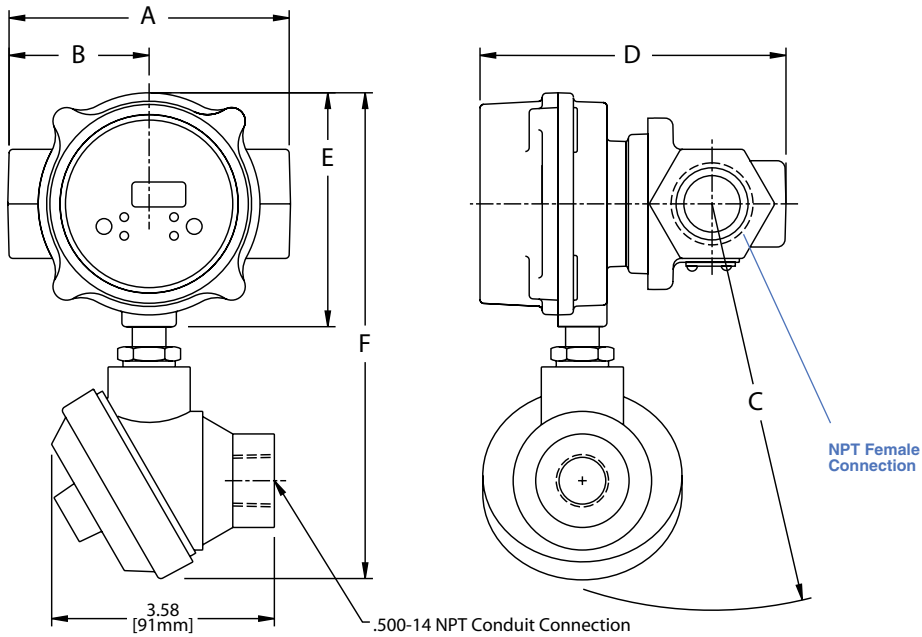


INSTALLATION DRAWING – BASIC METERS



Size	A	B	C	D	E	F
CP6-CP8	4.50	2.25	4.04	4.92	3.75	4.19
CP12-CP16	6.75 [171mm]	3.37 [86mm]	4.71 [120mm]	6.14 [156mm]	3.75 [95mm]	4.19 [106mm]

INSTALLATION DRAWING – METERS WITH OPTIONAL JUNCTION BOX



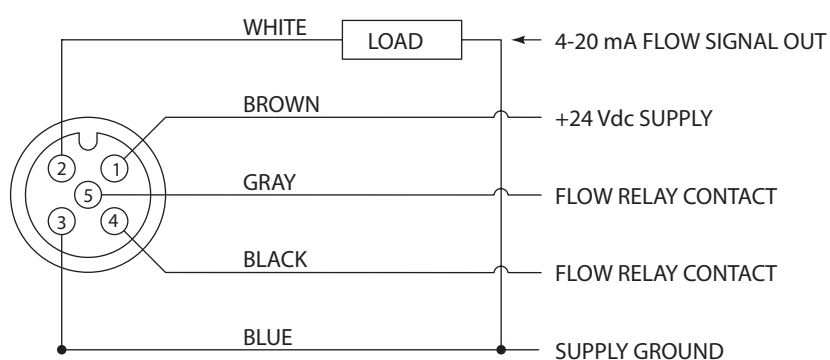
Size	A	B	C	D	E	F
CP6 and CP8	4.50 [114mm]	2.25 [57mm]	6.52 [166mm]	4.92 [125mm]	3.75 [95mm]	7.79 [198mm]
CP12 and CP16	6.75 [171mm]	3.37 [86mm]	6.87 [175mm]	6.14 [156mm]	3.75 [95mm]	7.79 [198mm]

ACCESSORY CABLES AVAILABLE FOR PIN CONNECTOR METERS

Series	Description	Length in Meters	Part Number
CP	5 pin female	1	6241-1M
		3	6241-3M
		10	6241-10M

PIN CONNECTOR PINOUTS

CP STANDARD (NO GROUND)



PIN CONFIGURATION:

- 1: + 24 VDC power supply
- 2: 4-20 mA flow signal out
- 3: supply ground
- 4: flow relay contact
- 5: flow relay contact