

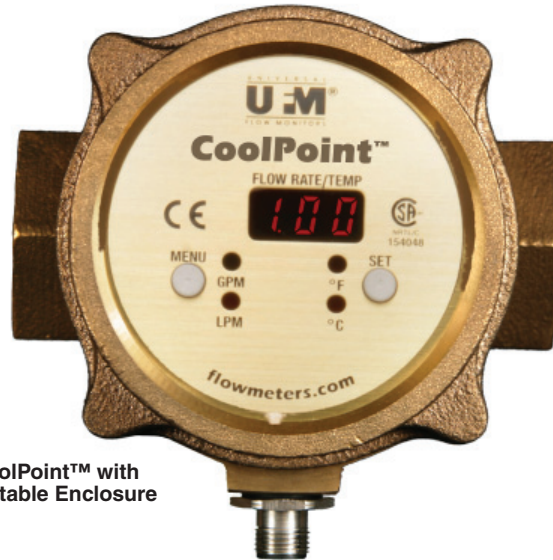
FLOW RANGE 25-200 GPM (95-750 LPM)
MAX PRESSURE 300 PSI (20 Bar)
TEMPERATURE RANGE 32-210°F (2-99°C)

CT 3/4-2 inch Flow and Temperature Transmitter

UNIVERSAL[®] Flow Monitors

CoolPoint™

Vortex Shedding Flowmeter and Temperature Transmitter



CoolPoint™ with Rotatable Enclosure

Description

This flowmeter/temperature transmitter is made for water, water/glycol coolant or low viscosity fluids. It has the following features:

- Flow rate transmitter 4-20 mA
- Temperature transmitter 4-20 mA
- Solid state relay can be configured as alarm or pulse out for flow rate only
- LED digital display
- No moving parts to clog or wear
- Certified CSA and CE

Electrical Specifications

- Input Power: 10 - 30 VDC @ 80 mA
- Output: 4-20mA for flow with solid state relay
- Electrical Connection
 - Pin Connector (standard)
 - Pigtails (optional)
 - Junction Box with terminal strip (optional)

Material Specifications

Flow bodies of brass or 316 Stainless Steel with PVDF sensors and Viton[®] seals standard.

User-Configurable Options

Features that are selectable on 4-20 mA units include:

- Selectable alarm state (N.O. or N.C.)
- Set point or pulse output
- Engineering units (GPM, LPM)
- Fahrenheit or Celsius

Instrument Specifications

- Flow
 - Visual readout: 3 digit LED, 0.3" digit height
 - Response time: user selectable from 0.9 to 7.5 seconds,
 - Alarm: 5% F.S. deadband
 - Accuracy: ±2% F.S.
 - Repeatability: ±.25% of indicated temperature
 - Turndown: 10:1 (20:1 available)
- Temperature
 - Response time: 1.8 seconds
 - Alarm: ±2% deadband
 - Accuracy: ±1% F.S.
 - Repeatability: ± .25% of indicated flow
 - Output: 4 mA @32°F, 20mA @210°F linear
- Pressure
 - 300 PSIG (20 Bar) operating pressure
- General
 - Fluid temperature limits: 35-210°F (2-99°C)
 - Enclosure rating: IP 65, Type 1, 3, 4, 12 and 13
- Pipe Connections:
 - Female NPT, BSPP & BSPT

How To Order Select the appropriate symbols to build a model code:

MODEL CODES

Flow maximum GPM (LPM)	Pipe size in inches	Model code	Standard units on left may be modified by adding symbols to right with dashes (see example below).	Thread options available	Body material options available	Connector or conduit box options available	Turndown
4 (15)	3/4	CT6-F1			T2=BSPT T3=BSPP	M2=316SS	C2=Pig tails C3=Conduit box, terminal strip
6 (23)	3/4	CT6-F9					
12 (45)	3/4	CT6-F2					
25 (95)	3/4	CT6					
50 (190)	1	CT8					
100 (380)	1 1/2	CT12					
200 (200)	2	CT16					

* Not available on CT6-F1
* Needs grounding

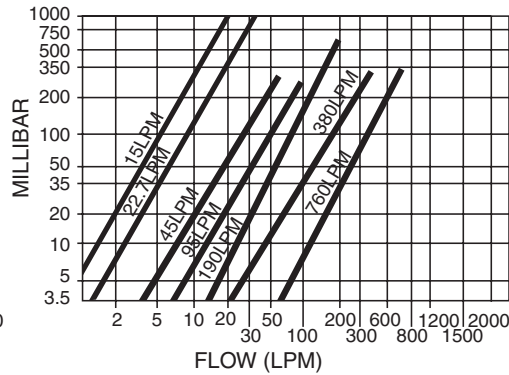
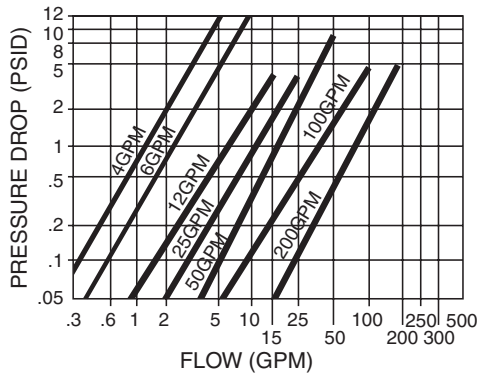
Standard models have fixed flow rates for each pipe size, brass construction, Viton® seals, 4-20mA output with programmable set point or pulse out selectable, temperature transmitter.

Example: CT12 is an 1 1/2 inch flowmeter with above characteristics.

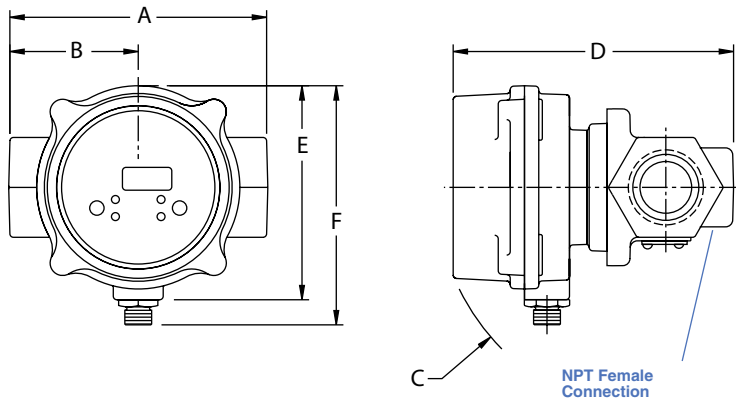
For Special Options - Added symbols required.

Example: CT12-T2 is a standard model with BSPT threads.

PRESSURE DROP CHARTS

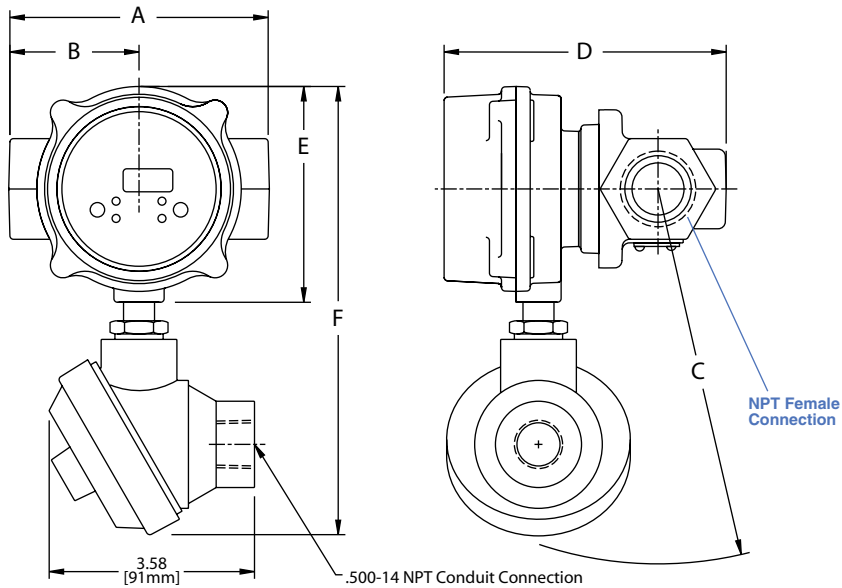


INSTALLATION DRAWING – BASIC METERS



Size	A	B	C	D	E	F
CT6 and CT8	4.50 [113mm]	2.25 [57mm]	4.04 [103mm]	4.92 [125mm]	3.75 [95mm]	4.19 [113mm]
CT12 and CT16	6.75 [171mm]	3.37 [86mm]	4.71 [120mm]	6.14 [156mm]	3.75 [95mm]	4.19 [106mm]

INSTALLATION DRAWING – METERS WITH OPTIONAL JUNCTION BOX



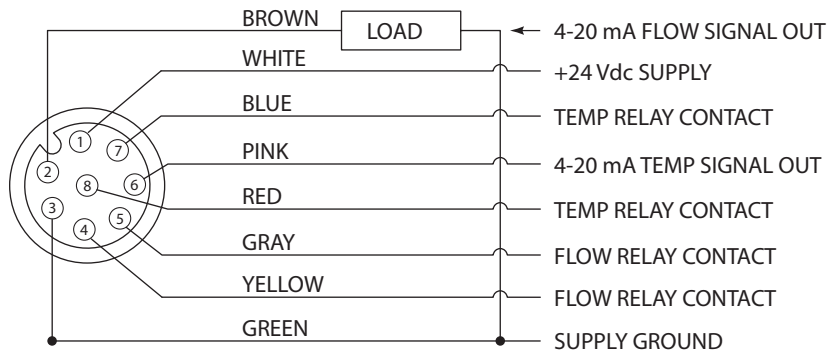
Size	A	B	C	D	E	F
CT6 and CT8	4.50 [114mm]	2.25 [57mm]	6.52 [166mm]	4.92 [125mm]	3.75 [95mm]	7.79 [198mm]
CT12 and CT16	6.75 [171mm]	3.37 [86mm]	6.87 [175mm]	6.14 [156mm]	3.75 [95mm]	7.79 [198mm]

ACCESSORY CABLES AVAILABLE FOR PIN CONNECTOR METERS

Series	Description	Length in Meters	Part Number
CT	8 pin female	2	6242-2M
		5	6242-5M
		10	6242-10M

PIN CONNECTOR PINOUTS

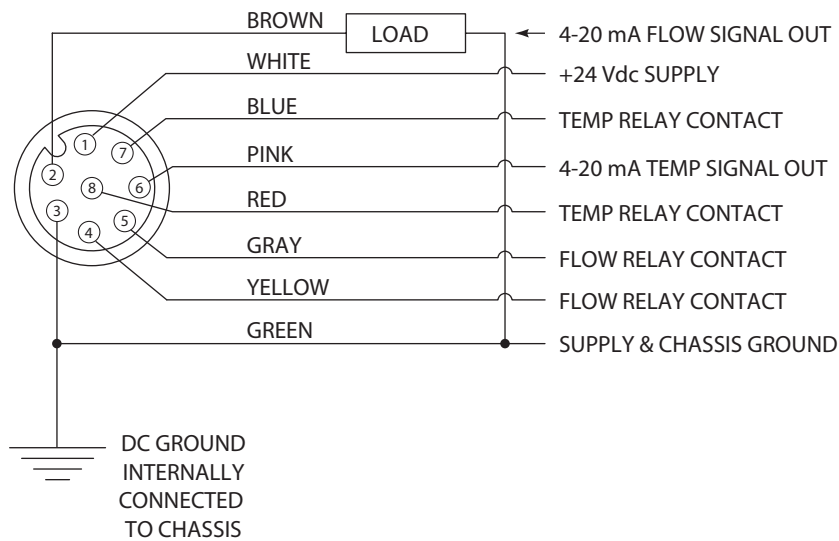
CT (FLOW AND TEMPERATURE)



PIN CONFIGURATION:

- 1: + 24 VDC power supply
- 2: 4-20 mA flow signal out
- 3: power supply ground
- 4: flow relay contact
- 5: flow relay contact
- 6: 4-20 mA temp signal out
- 7: temp relay contact
- 8: temp relay contact

CT WITH W1 OPTION (GROUNDED)



PIN CONFIGURATION:

- 1: + 24 VDC power supply
- 2: 4-20 mA flow signal out
- 3: power supply ground
- 4: flow relay contact
- 5: flow relay contact
- 6: 4-20 mA temp signal out
- 7: temp relay contact
- 8: temp relay contact